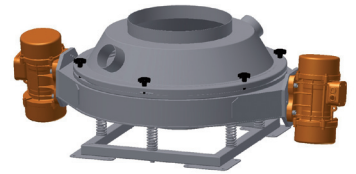


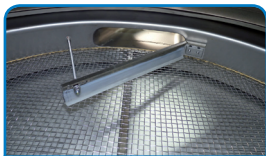
Take advantage of over 30 years experience in Screening and Process Technology

Vibrating Control Screeners KTS-V2

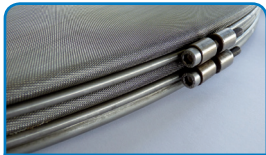
This screening machine is suitable for all kinds of control- and safety screening with high capacities for dry and liquid products.



Central inlet and outlet



Product contact parts in stainless steel 1.4301/304 (Standard)



Screen frames with twin-clamp rings for easy re-meshing on-site



Driven by laterally attached vibration motors (ATEX 22)

KTS-V2 450 – 800



KTS-V2 900 – 1500



KTS-V2 1600 – 2000



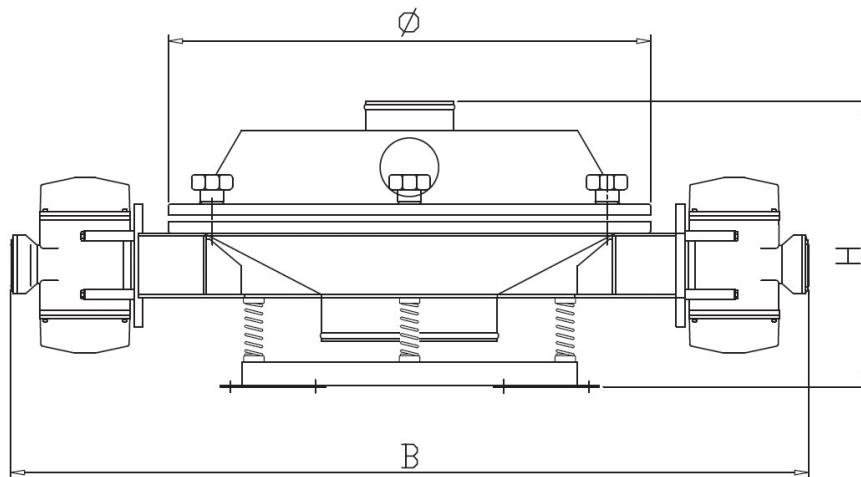
Your main benefits include ...

- Modular, self-centering and expandable modular design
- Extremely high throughput
- Delivered ready to operate and optimized for each product (Plug & Play)
- Up to 100% availability in 24 h operation
- Dustproof and CE compliant
- Self-centering screen assembly
- Easy disassembly and cleaning of all parts
- Fast on-site re-meshing of screen frame
- Low maintenance requirement
- Very competitively priced with short delivery times

Datasheet

Particle feed sizes:	1 µm – 20 mm
Feed rates:	1 kg/h – 200.000 kg/h
Bulk densities:	200 – 10.000 g/l
Mesh openings:	200 µm – 20 mm
Screens usable:	Stainless steel
No. of screen decks:	1 – 2 per machine
Anti blinding systems:	Rubber balls, plastic rings, Ultrasonic, combinations available upon request
Speed range:	1.500 (1.800) min ⁻¹ at 50 (60) Hz
Screen movement:	high frequency, two-dimensional, set to product
Acceleration/Amplitude:	4 – 6 g / 4 – 8 mm
Materials:	Stainless steel, special steels, rubber materials FDA compliant
Surfaces:	Ceramic blasted, electro polished, otherwise glazed inside and out with a high-grade surface finish to surface roughness <0.4 µm for food and pharma products

Dimensions



Model sizes KTS-V2	450	600	800	900	1200	1500	1600	2000
Screening area (m ²)	0.11	0.27	0.42	0.6	0.93	1.45	1.8	2.6
Width (mm) B Ø	764	1155	1365	1530	1745	1762	2356	2787
Diameter (mm) Ø	455	670	825	1010	1225	1510	1590	1985
Motor power (kW)	0.19	0.70	0.70	1.24	1.24	1.60	1.80	3.60
Weight (kg):	30 – 45	130 – 145	145 – 165	220 – 250	265 – 300	450 – 500	460 – 510	745 – 810
1 Deck (Height mm) H	375	460	485	735	769	940	992	1245
2 Decks (Height mm) H	485	575	582	835	885	1070	1100	1353

GKM Siebtechnik GmbH

Felix-Wankel-Straße 11 · 74915 Waibstadt/Germany

Fon +49 (7263) 40972-0 · Fax +49 (7263) 40972-29 · info@gkm-net.de · www.gkm-net.de

